

The Heavy Duty Tractor Top



Designed for tractors that work!!!

From the **Heavy Duty** steel frame to the **Heavy Duty** fiberglass shell. This tractor top will not split or dent like the cheaper light duty units made from plastic or sheet metal.



Only
\$450.00



Fully adjustable powder coated steel frame

- 20" to 46" width ROPS
- 0° to +14° to 0° to -14°

Features

- Rugged Fiberglass Shell
- Powder Coated Steel Frame
- Adjustable Width
- Adjustable Pitch
- Frame and Shell permanently bonded (No Leaking or Rusty Bolts)
- Fits Most R.O.P.S. *



Made In U.S.A.

- We designed it
- We build it
- We use it

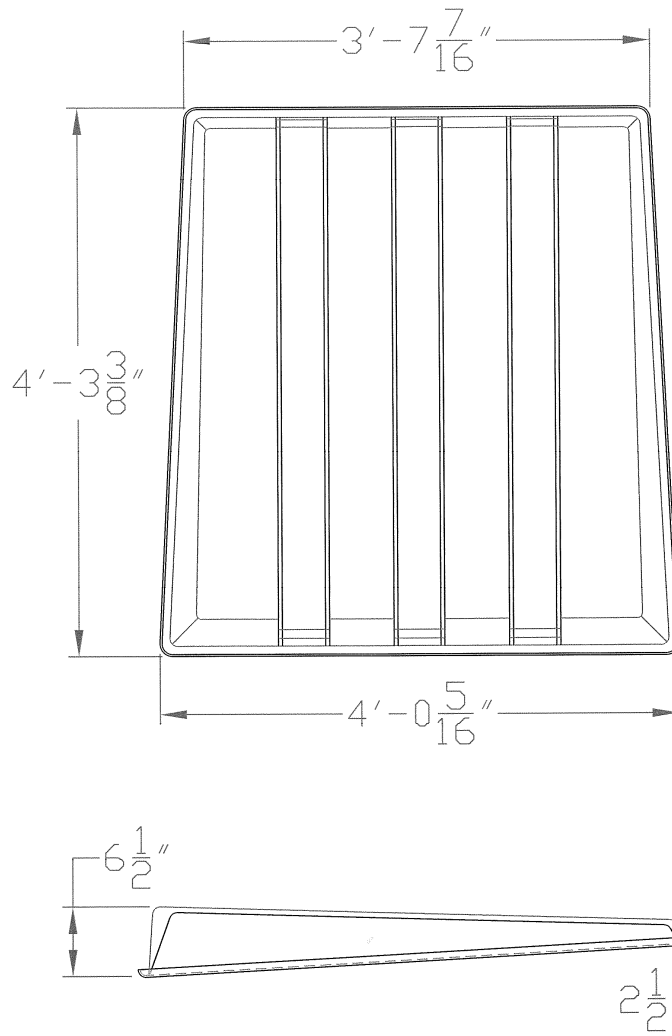


*= Provides no roll over protection. Consult with the R.O.P.S. provider for your unit before attaching

For More Information Contact:



Old Fashioned Craftsmanship With Modern Composites Technology



Standard Colors:

- Tractor Blue
- Tractor Green
- Orange
- Red
- White

Minimum R.O.P.S. width 20"
 Maximum R.O.P.S. width 48"